

# Treppenschliff

## Facet Data

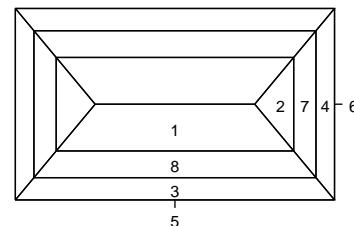
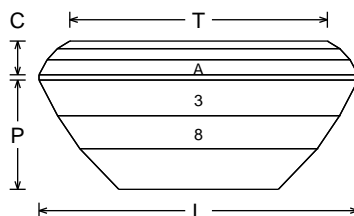
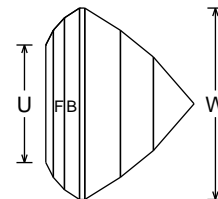
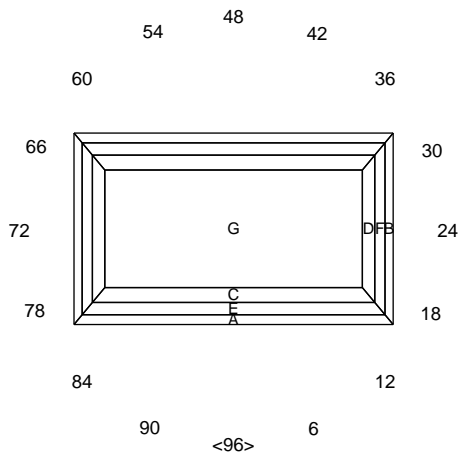
Pavilion facets	12	Pavilion tiers	6
Girdle facets	4	Girdle tiers	2
Crown facets	12+1	Crown tiers	6+1
<b>Total facets</b>	<b>29</b>	<b>Total tiers</b>	<b>15</b>

## Size Data

L/W	1.667	P/W	0.571
H/W	0.774	C/W	0.176
V/W <sup>3</sup>	0.743	P/C	3.241

## Design Data

Angles for R.I.	1.54
Symmetry	2-fold, mirror
Index gear	96



## Pavilion

1	41.00	96-48
2	46.21	24-72
3	58.00	96-48
4	62.49	24-72
5	90.00	96-48
6	90.00	24-72
7	55.99	24-72
8	51.00	96-48

## Crown

A	57.00	96-48
B	61.58	24-72
C	27.00	96-48
D	31.44	24-72
E	42.00	96-48
F	47.22	24-72
G	0.00	Table